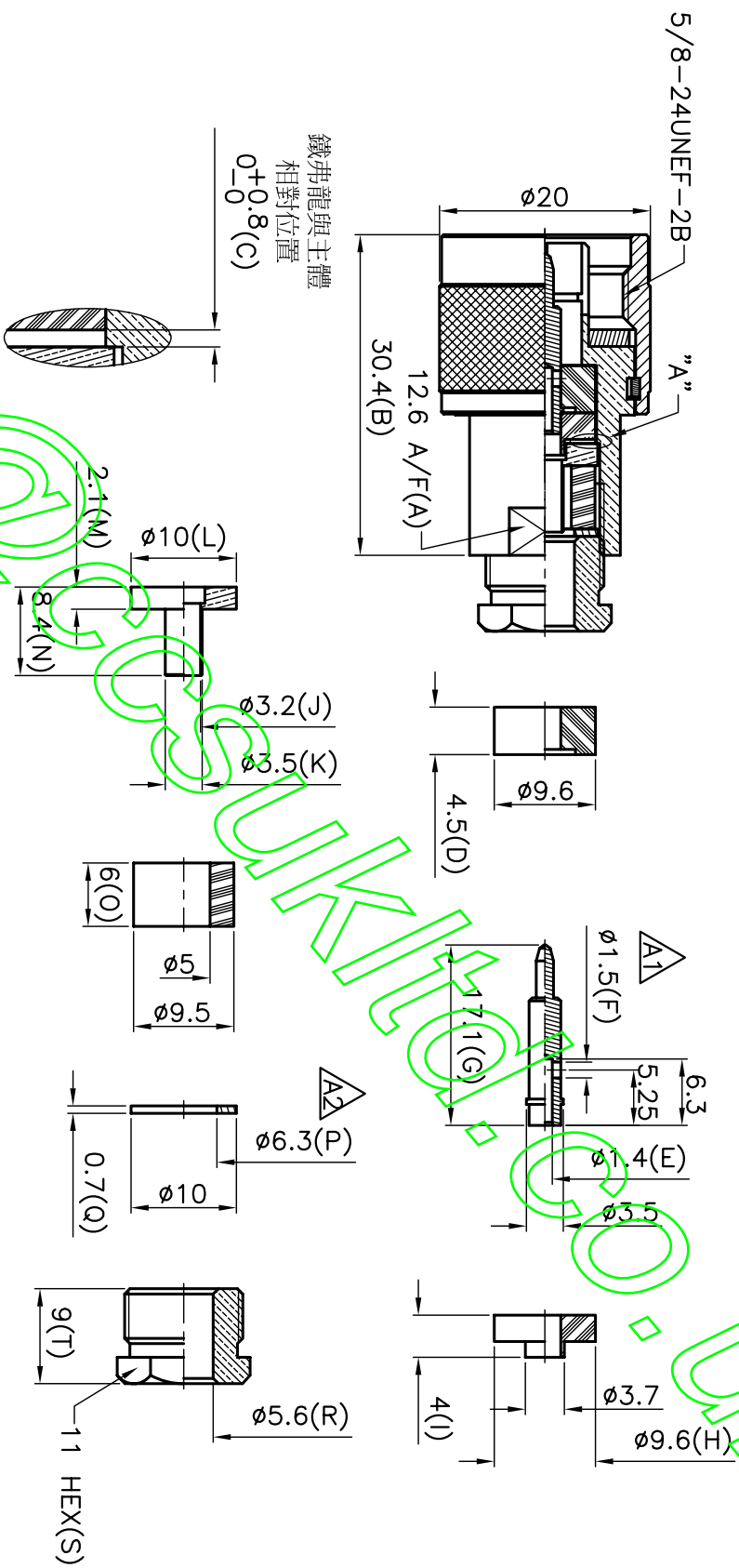


ISS	REVISIONS	DESCRIPTION \ DATE
A1		中心針 SOLDER HOLE 1.0mm 改為 1.5mm \ 03/21/12"
A2		第10號 WASHER 內徑由 5.6mm 改為 6.3mm \ 04/02/12"

RoHS COMPLIANT



CONNECTORS CABLES
CHS
SPECIALISTS LTD

TITLE: N MALE CLAMP
 (FOR RG58, RG223, RG400, RG142)

PART NO: NPSGC223SS
 DR. NO: 030

APRD: UNLESS OTHERWISE SPECIFIED TOLERANCES
 0.5-6 = ±0.2
 >6-30 = ±0.4
 >30-120 = ±0.6
 >120-315 = ±1.0
 >315-1000 = ±1.6
 ANGLES = ±1.6°

CHKD:
 DR:

DATE: 04/02/12"
 UNIT: mm
 SCALE: 1.5/1

NO.	DESCRIPTION	MATERIAL	FINISH
	NUT	BRASS	SILVER
	WASHER	BRASS	SILVER
	GASKET	SILICONE	WHITE
	TOP HAT	BRASS	SILVER
	INSULATOR	TEFLON	WHITE
	CONTACT PIN	BRASS	SILVER
	INSULATOR	TEFLON	WHITE
	BODY	BRASS	SILVER
	RING	BRASS	NONE
	GASKET	SILICONE	WHITE
	SHELL	BRASS	SILVER
		MATERIAL	FINISH